





CURIE


Technical Specifications


 **Curing Time Cycles**
1 sec. to 20 min.


 **Chamber Dimensions**
14 (W) x 14 (D) x 8 (H) cm
5.5 (W) x 5.5 (D) x 3.1 (H) in


 **Power Consumption**
75 W


 **Dimensions**
20 (W) x 22 (D) x 16 (H) cm
7.9 (W) x 8.7 (D) x 6.3 (H) in

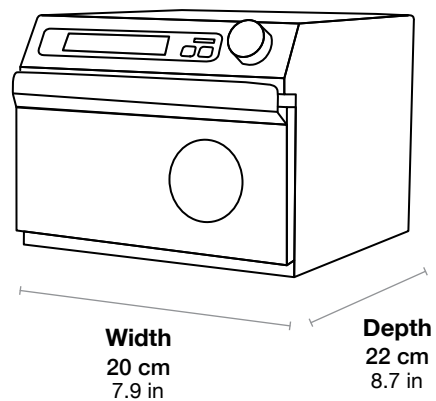
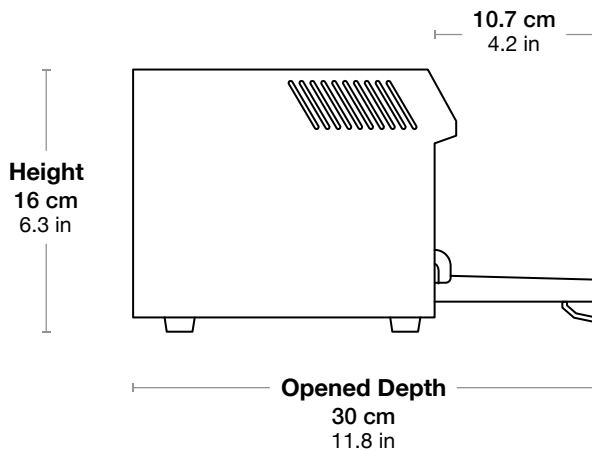
 **UV Wavelength**
365, 385, 405 nm

 **Power Input**
100-240VAC, 50-60Hz

 **Weight**
Approx. 3 kg
Approx. 6.6 lbs

 **LED Lights**
31

 **Library Updates**
Manual



Visit ackuretta.com to learn more
For sales inquiries, contact sales@ackuretta.com