



# SOL

## Technical Specifications



**3D Print Technology**  
LCD



**Print Area**  
12.9 (W) x 8 (D) x 12 (H) cm  
5.1 (W) x 3.1 (D) x 4.7 (H) in



**UV Wavelength**  
385-405 nm



**Dimensions**  
29.2 (W) x 27.1 (D) x 41.6 (H) cm  
11.5 (W) x 10.7 (D) x 16.4 (H) in



**XY Resolution**  
49 µm



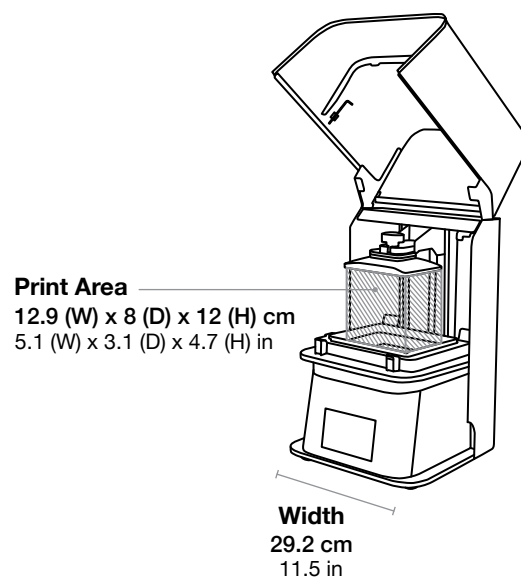
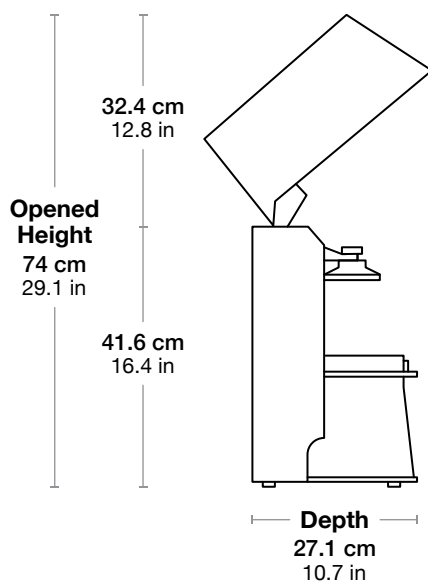
**Power Input**  
100-240VAC, 50-60Hz



**Weight**  
Approx. 18 kg  
Approx. 40 lbs



**Layer Thickness**  
30-150 µm



Visit [ackuretta.com](http://ackuretta.com) to learn more  
For sales inquiries, contact [sales@ackuretta.com](mailto:sales@ackuretta.com)