

Unpacking & First Use

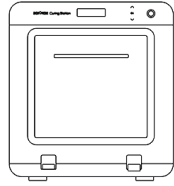
SOURCE:

<https://support.zortrax.com/curing-station-unpacking-first-use/>

Table Of Contents

In the Box
Unpacking & First Use

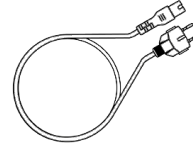
In the Box



Zortrax Curing
Station



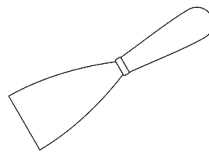
Quick Start Guide



Power Cable



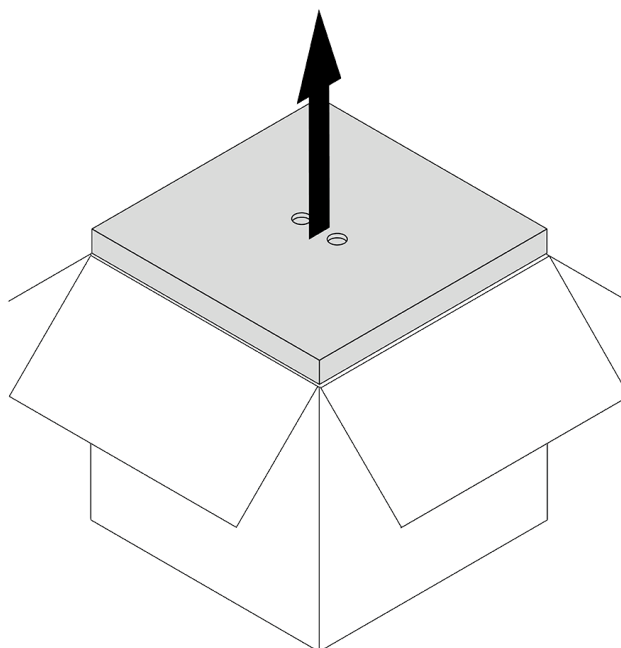
Safety Glasses



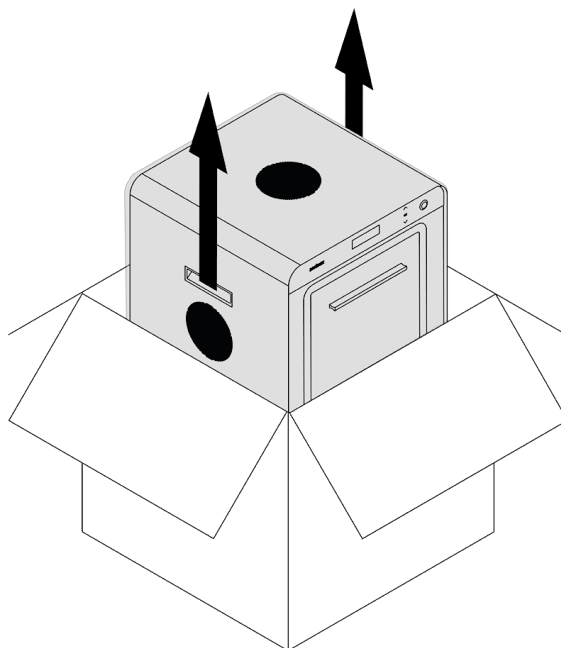
Spatula

The graphic shows the whole box content.

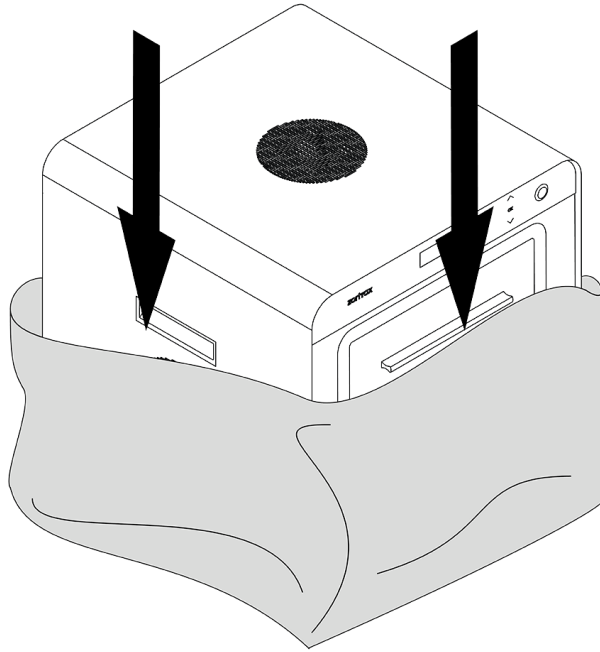
Unpacking & First Use



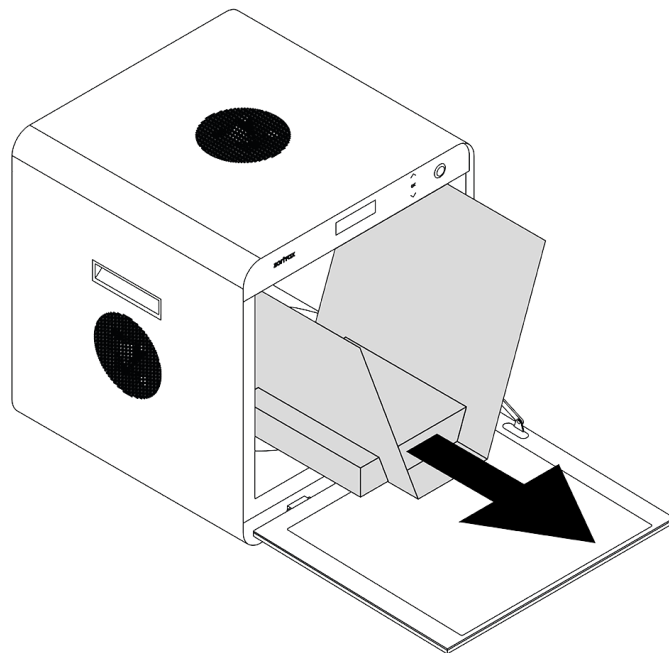
Open the shipping box and remove the upper cushioning.



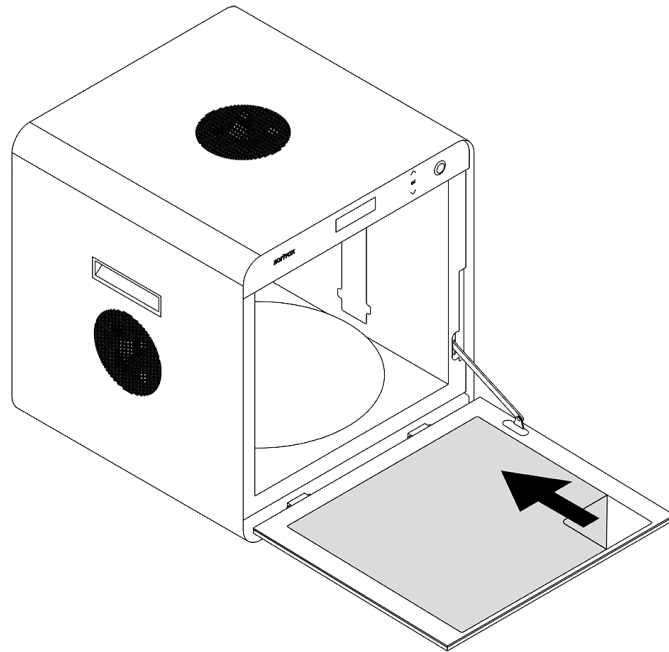
Take the device out of the box.



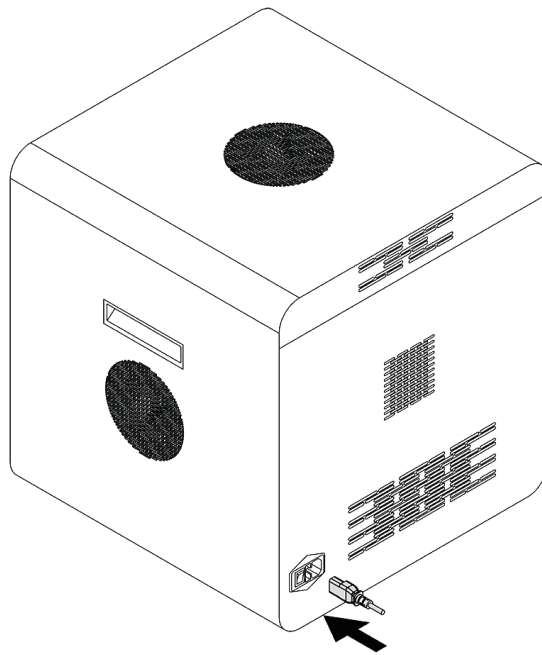
Remove the protective foil and place the device on a flat and stable surface.



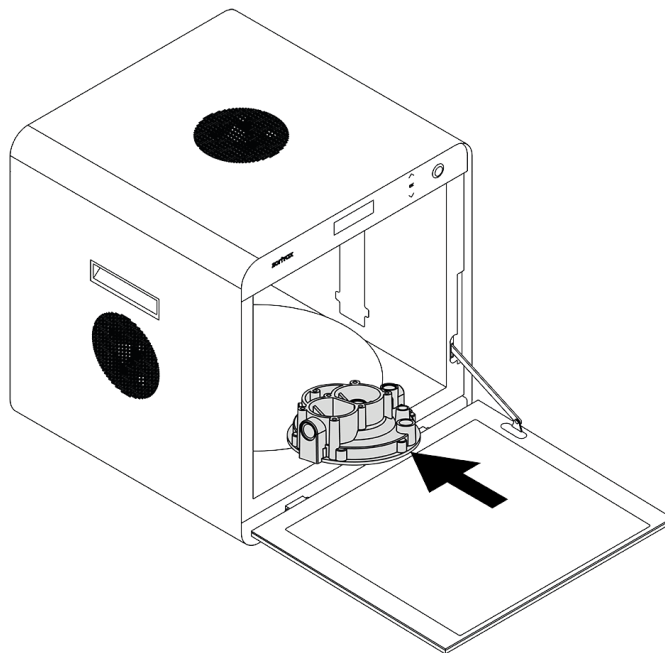
Remove the box with accessories and remove the cardboard protection from the inside of the chamber.



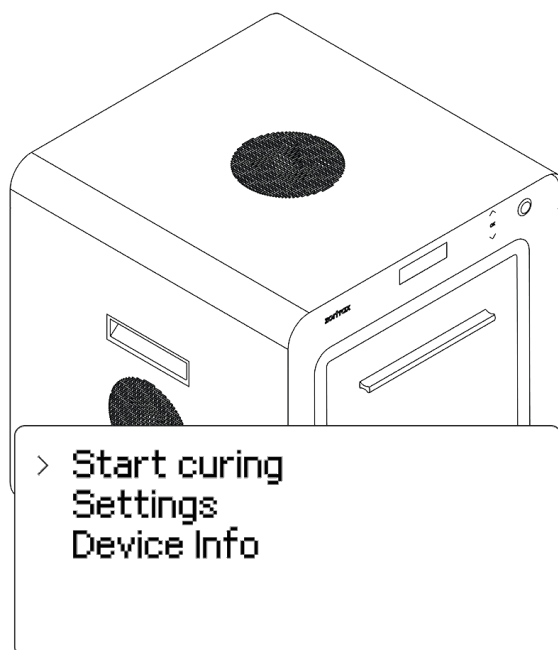
Remove the protective foils from the inside and outside of the device. Close the front door



Plug the power cable in.



Place model(s) on the glass table inside the device.



Run the curing program with appropriate time settings using the Start Curing option from the menu.